

# Magnetic Adaptor

## Sharkfin Range

For use with the Sharkfin antenna range, the Magnetic Adaptor provides a magnetic mount solution for antenna trials and drive-testing.

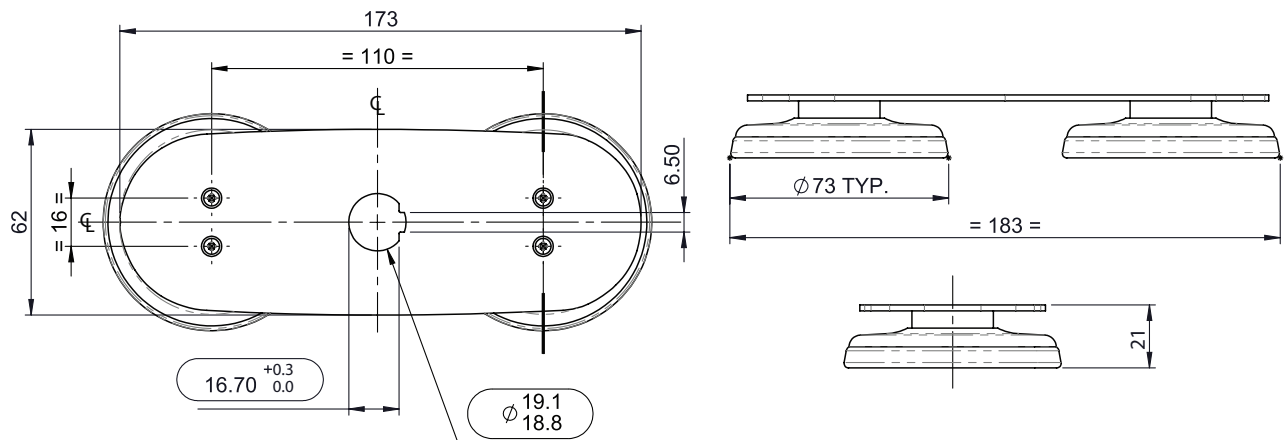
Using two heavy duty magnets fitted to an aluminium alloy plate, this is a very easy, simple and quick solution that can be fitted anywhere on the vehicle to evaluate the antenna's performance without drilling any holes.



### Mechanical Data

Dimensions	Height	6.9" (175mm)
	Length	2.55" (65mm)
Clearance		0.82" (21mm)
Mounting Type		Magnetic Mount
Material		Black
Color		Black Powder Coat

## TECHNICAL DRAWING



FOR MORE INFORMATION, VISIT [CRADLEPOINT.COM](http://CRADLEPOINT.COM)